



Office of Deputy Registrar (Purchase)
Indian Institute of Science (IISc)
Bangalore – 560012
(<https://www.iisc.ac.in>)

NOTICE INVITING TENDER

in e-Tender mode only on the
Central Public Procurement Portal (CPPP) of the Govt. of India
under the two-cover bid system

for

**Supply and Installation of Lab Furniture at Skill
Development Centre, Challakere Campus, Indian Institute
of Science, Bengaluru**

Tender No: IISc/Purchase/CDC/2020/10

Date: 8th July 2020

Contact Details for this tender:

Chair

Challakere Empowered Committee
Challakere Development Centre Office
Indian Institute of Science
Bangalore 560012

Email: umarji@iisc.ac.in

Online Tender Submission website:

<https://eprocure.gov.in/eprocure/app>

1. Introduction

Established in 1909, Indian Institute of Science (IISc), having its main campus at Bangalore (Karnataka, India), is India's leading institution of advanced education and research in the sciences and in engineering. It is a Deemed-to-be-University as per Section 3 of the UGC Act 1956 under Ministry of Human Resource Development (Govt. of India). On the 11th of October 2018, the Indian Institute of Science (IISc) was formally notified as an Institution of Eminence (IoE) by the Govt. of India. From its beginnings, IISc has laid equal emphasis on fundamental investigations and the solution of practical problems in such a setting.

The Institute also has a new campus at Challakere in the Chitradurga district of Karnataka. The flagship project of this 1,500 acre campus has been a training programme for science teachers. This programme has now been recognized as a Centre for Excellence in Science and Mathematics Education by the Government of India.

The Institute invites bids from reputed original equipment manufacturer (OEM) / OEM authorized distributor / reputed suppliers for supply and installation of Lab Furniture at Skill Development Centre, Challakere Campus, Indian Institute of Science, Bengaluru.

Detailed technical specifications are mentioned in the subsequent sections.

The bids must have to be submitted in ONLINE mode through e-procure module of Central Public Procurement Portal (CPPP) of Govt. of India in two-cover bid system.

2. Schedule of Events

Tender Publishing Date	8 th July 2020
Last Date of submission of Pre-bid clarification queries (by email only)	16 th July 2020, 5:00 PM IST
Online Pre-bid Meeting through MS-Team platform (Meeting link will be sent to only those bidders, who will request for it by email latest by 16 th July 2020) <u>Note:</u> Pre-bid meeting will not be held, if significant number (minimum 3) of requests from prospective bidders will not be received. In this case, reply of the query will be sent by email.	20 th July 2020, 11:30 AM IST
Deadline for online submission of bids on CPPP	7 th August 2020, 5:00 PM IST
Opening of technical bids on CPPP	10 th August 2020, 11:30 AM IST
Listing of technically qualified Bidders on CPPP	To be declared later (on CPPP)
Opening of price bids on CPPP	
IISc has absolute right to modify the date and time of an event of this tender.	

3. Technical Specifications

Supply and Installation of laboratory furniture at Skill Development Centre, Challakere Campus, Indian Institute of Science, Bengaluru

Details of the items (BOQ) to be procured are as follows: -

Item	Quantity	Detailed technical specifications
(a) Experimental Tables Chemistry/Biology/Physics (size - 5'x8') [Figure – 1 (Attachment-1)]	24	Experimental Tables (5'x8') with Granite Top as per the drawing attached Figure – 1 (Attachment-1), 19mm thick Black granite 1524x2438 mm tabletop. Powder coated CRCA sheet storage cupboards below having external locking system and two level storage racks above the table. LPG gas and electrical switches and light fittings as shown in the drawing. Three no's of 5'x8' lab tables are to be arranged to form an island bench of 5'x24' and need a vertical end shaft to bring in LPG and Power connections from the side wall. Ten no's of these shafts are needed.
(b) Experimental Tables (size - 2.5'x6') [Figure- 2 (Annexure-1)]	14	Experimental Tables (2.5'x6') with Granite Top as per the drawing attached Figure- 2 (Annexure-1), 19mm thick Black granite 762x1826 mm tabletop. Powder coated CRCA sheet storage cupboards below having external locking system and two level storage racks with above. LPG gas and electrical switches and light fittings as shown in the drawing.
(c) Experimental Tables (SS Non Magnetic, size - 5'x8') [Figure- 3 (Annexure-1)]	6	Experimental Tables (5'x8') with Granite Top as per the drawing attached Figure- 3 (Annexure-1), 19mm thick Black granite 1524x2438 mm tabletop. Nonmagnetic SS storage cupboards below having external locking system. Electrical switches and light as shown in the drawing

4. Bidder's Minimum Eligibility Criteria and Instructions

1. The Bidder's firm should have existence for a minimum of 3 (three) years. (Enclose Company **Registration Certificate**)
2. The Bidder should have qualified technical service personnel for the instrument(s) based in India. A list of the such personnels with qualification on the roll of the bidder must be submitted.
3. If the Bidder is a local distributor/dealer/Agent of OEM, it is mandatory to attach authorization certificate from the original equipment manufacturer (OEM) along with the technical bid.
4. The bidder should sign and submit the declaration for Acceptance of Terms and Conditions as per -Annexure - 2.
5. The Bidder must not be blacklisted/banned/suspended or must not have a record of any service related dispute with any organization in India or elsewhere. A declaration to this effect has to be given as per Annexure - 3.
6. Any information furnished by the bidder found to be incorrect, either immediately or at a later date, would render the bidder liable to be debarred from tendering/taking up of work in IISc, Bangalore.
7. Offered price must include all kinds items costs, delivery, installation, training, loading, unloading, packing, unpacking etc.
8. The bidder must submit a hard copy (printout and spiral bound in one volume only) of the complete technical bid (as submitted by the bidder on CPPP), which must reach to us (address given on first page as contact details for this tender) at least one day prior to the technical bid opening date through speed post / courier / by hand. For any delay or loss in transit, IISc will not be responsible. It will be sole responsibility of the bidder to ensure delivery of this hard copy at IISc on time. Non-receiving of this hard copy technical bid may lead to rejection of the technical bid. In case of any deviation in the hard copy technical bid from the online technical bid, the content on the online (CPPP) technical bid will only be considered. **Price Bid (BOQ) MUST NOT be sent in hard copy format.**
9. Pre-bid meeting may be organized. Bidders may send their queries by email latest by the scheduled date and time. Beyond this date and time, no query will be entertained. If there will be any modification felt by the IISc committee, then it will be published in form of corrigendum on CPPP. IISc has absolute right to accept or reject any query / request.
10. Any pre-bid meeting (if held), will be organized online via MS-Team platform. Bidders may request for the meeting link by email with their pre-bid queries. No public announcement will be made for the meeting link. Pre-bid meeting will not be held, if significant number (minimum 3) of requests from prospective bidders will not be received. In this case, reply of the query will be sent by email.

5. Terms & Conditions

1. The bid must be valid for at least 180 (One Hundred Eighty) days from the actual date of opening of the technical bid.
2. Two bid system (separate technical and financial bids) in sealed tenders will be followed.
3. Technical bids will be opened first. IISc may seek clarifications after opening of technical bids. IISc reserves the right to accept or cancel a bid or clarification. Decision of IISc regarding evaluation of technical bids or price bids will be final and binding.
4. Price bids of only technically qualified vendors will be considered, and the vendors will be informed the day of opening the price bids through CPPP only.
5. The price bids must be offered on FOR-IISc (Chalakeri campus) basis.
6. Earnest Money Deposit (EMD) of an amount as mentioned in this tender must be submitted through NEFT / RTGS. Micro and Small Enterprises (MSEs) / startups firms are exempted from this deposit provided they submit a valid certificate as per GFR / Govt. India rules from an appropriate Govt. of India authority.
7. Warranty – Minimum Warranty for 1 (One) year is mandatory. Warranty period will start only once IISc take over the items after the complete supply and installation and inspection and acceptance by IISc of the provided item / solution. If the items are found to be defective, they have to be replaced or rectified at the cost of the bidder within 30 days from the date of receipt of written communications from IISc, Bangalore. If there is any delay in replacement or rectification, the warranty period should be correspondingly extended.
8. Supply and installation should be completed within 2 (two) months of placing of order.
9. The items should be delivered, successfully installed and demonstrated at the site of;
IISc's Chalakeri Skill Development Center
IISc-Bangalore Chalakeri Campus
Kudapura, Chalakeri Taluk
Chitradurga Dist. – 577536, Karnataka (India)
10. 100% payment will be released after complete delivery and satisfactory installation. Payment will be subject to deduction of TDS as per rules/laws. Any advance payment will not be released.
11. IISc is a DSIR recognized research organization and hence eligible for concessional / exempted rate of GST @5% (for indigenous items). Since these items are required for research purpose, IISc will issue GST Exemption Certificate (for indigenous items) on submission of invoice / proforma invoice. While submitting the bid, this fact should be considered.
12. IISc reserves the right to cancel or modify the tender at any time without assigning any reason thereof.
13. As time is essence for this procurement, the successful bidder must have to adhere by the delivery and installation schedule as per purchase order, failing which Liquidity Damage (LD) will be imposed for late delivery and installation at the rate of 1% of total order value for delay per week or part thereof (maximum up to 10% LD). IISc may consider formal request for extension in delivery and installation schedule on genuine grounds, however it will be absolute right of the IISc to accept or reject such request of the vendor. IISc reserves the right to cancel the order if there is delay without a formal approval by IISc.
14. Performance Bank Guarantee (PBG) of 10% of the total order value has to be provided by the successful bidder within two weeks of placement of order.

15. Conditional offer or Incomplete bids will be treated as non-responsive bid.
16. The Schedule of quantities (BOQ) is having two different groups of items. The Bidders are to clearly indicate whether they have quoted or not quoted for each group of items in format provided with technical bid. Any deviation must be clearly mentioned in the technical bid. The acceptance/rejection of the deviations wholly rests with the Purchase Committee of IISc, duly constituted.
17. All amendments, time extension, clarifications etc., within the period of submission of the tender will be communicated thorough CPPP. No extension in the bid due date/time shall be considered on account of delay in receipt of any document(s) by mail.
18. The bidder may furnish any additional information, which is necessary to establish capabilities to successfully complete the envisaged work with the technical bid. It is however, advised not to furnish superfluous information.
19. The bidder may visit the installation site before submission of tender, with prior intimation.
20. Such corrigendum/ addendum thus issued shall be part of the tender documents and shall be published on CPPP or on the IISc website (www.iisc.ac.in).
21. The technical bid will be opened first and evaluated.
22. Bidders meeting the required criteria as stated in Section 2 of this document shall only be considered for Commercial Bid (Part B) opening. Further, agencies not furnishing the documentary evidence as required will not be considered.
23. Pre- qualification of the bidders shall not imply final acceptance of the Commercial Bid. The agency may be rejected at any point during technical evaluation or during commercial evaluation. The decision in regard to acceptance and / or rejection of any offer in part or full shall be the sole discretion of IISc Bangalore, and decision in this regard shall be binding on the bidders.
24. The award of contract will be subject to acceptance of the terms and conditions stated in this tender.
25. Any legal disputes arising out of any breach of contract pertaining to this tender shall be settled in the court of competent jurisdiction located within the city of Bangalore, India.
26. The Bidder shall fill in rates for all items described in the Bill of Quantities (BOQ). L-1 (Lowest) will be determined based on the total price (including of all items) quoted by the bidder. Items for which no rate or price is entered by the Bidder in the group, will not be paid by IISc when executed and shall be deemed covered by the other rates and prices in the schedule of Quantities for that particular group.

6. Earnest Money Deposit (EMD)

1. All Bidders must submit **Rs. 1,80,000 (Rupees One Lakh Eighty Thousand only)** as EMD or bid security in the form of RTGS/NEFT transfer, the Bidder must submit e-receipt as a proof of EMD submission along with the technical bid. Failure to comply with this requirement will result in rejection of the bid. The account details of IISc are provided below.
2. After the placement of the purchase order on the successful Bidder, the EMD amount will be returned to the unsuccessful Bidders without interest.
3. The EMD amount will be returned to the successful Bidder after the Institute places a firm purchase order for the procurement and the successful Bidder then submits a performance security/bank guarantee followed by its verification.
4. Micro and Small Enterprises (MSEs) or Startup firms will be exempted from submitting EMD as per GFR 2017 (amended from time to time). Such a Bidder must submit copy of valid certificate (from appropriate agency of Govt. of India) with the technical bid, failing which their bid will be declared as a non-responsive bid and hence not will considered for bid evaluation process.
5. The bid must be valid for at least 180 (One Hundred Eighty) days from the actual date of opening of the technical bid. Withdrawal of the bid within the period of validity will result in forfeiture of the EMD amount.

Details of the Bank Account of IISc Bangalore for submitting EMD / PBG

Account's Name	Registrar, Indian Institute of Science, Bangalore	Note: <ul style="list-style-type: none"> • It is mandatory to write the Name & Address of the Bidder and Tender Reference No. & Date on the back side of the e-receipt of NEFT/RTGS. • Acceptance of the e-receipt of NEFT/RTGS is subject to its verification from the Finance & Accounts section / Bank, IISc.
Bank	State Bank of India	
Branch	IIS Bangalore	
Branch Code	02215	
Account No.	31728098170	
IFSC	SBIN0002215	
MICR	560002020	
GSTIN	29AAATI1501J2ZV	
PAN	AAATI1501J	
IEC Code	0788012428	
ADC	00022158400009	
TAN	BLRI0070D	

7. Performance Security / Performance Bank Guarantee (PBG)

1. Successful bidder has to submit a Performance Security / Performance Bank Guarantee (PBG) issued by a nationalized bank or a scheduled commercial bank as per RBI list in India within two weeks of the issue date of purchase order. Performance Security / PBG will be for an amount of 10% (ten per cent) of the total purchase order. Performance Security may be furnished in the form of online payment (RTGS/NEFT) or Bank Guarantee in the specified format given in the Annexure-5.
2. Performance Security should remain valid for a period of sixty days beyond the date of completion of all contractual obligations of the supplier including warranty obligations.
3. Any kind of payment will be released only after submission of Performance Security / PBG followed by its verification of genuineness.
4. The Earnest Money Deposit (EMD) of the successful Bidder shall be returned on submission of Performance Security / PBG without any interest.
5. EMD of unsuccessful bidder will be returned without any interest after placement of order. EMD will be forfeited, if bidders change their terms & conditions or fail to submit PBG on time or fails to accept the purchase order during bid validity period.
6. Performance Security / PBG will be returned without any interest after successful completion of the all contractual obligations including warranty period AMC period (if any). However, if the successful Bidder fails to deliver the items / install and commission the items as per the order's terms and conditions within the stipulated period or fail to provide satisfactory services during contractual obligations include warranty period and AMC period (if any), the PBG shall be liable to be forfeited. Decision of IISc in this regard will be final and binding.

8. Guidelines for Bid Submission

Bidders are required to submit their bid in e-tender mode through the Central Public Procurement Portal (CPPP: <https://eprocure.gov.in/eprocure/app>) only. If a Bidder submits a response to the e-tender, then it is assumed that the Bidder accepts all the terms and conditions specified in this document. A bid submitted through any other mode will not be entertained and will be treated as non-responsive.

The submission consists of two parts, viz. a Technical Bid and a Commercial / Price Bid.

The **Technical Bid** should be an *indexed and page-numbered* document containing:

- Duly filled-in and sealed & signed by the bidder (Annexure-1)
- E-receipt of EMD (MSE / startup certificate in case of EMD exemption)
- BoQ compliance (Annexure -4) (all tables), (without quoted price).
- Supporting technical materials for the items in the BoQ.
- Supporting documents listed in the Overall Compliance Statement.
- A signed document that the Bidder agrees to the Service Terms, Commercial Terms, and Payment Terms set forth in this tender (including all contents). A copy of this tender document (duly sealed and signed on all pages) must be submitted with the technical bid.

The **Commercial / Price Bid** should contain:

- The BoQ table (in the CPPP Excel sheet for this tender) with per quantity and total prices for every line item. This should be inclusive of the ONE (1)-year warranty and support, transportation and delivery & installation to IISc. Rate / Prices for GST must be quoted in the excel sheet. Prices must be quoted in INR (Indian Rupees) and on FOR basis.

Points to Note:

1. Prices of items in this tender's BoQ must NOT be mentioned in the Technical Bid.
2. Each of the line items in the Commercial (Price) Bid must be quoted in INR.
3. The commercial bid must be valid for at least 180 days from the actual date of opening of the technical bid.
4. A tender not complying with any of the above conditions is liable to be rejected. Incomplete proposals are liable to be rejected.
5. The Director, IISc, reserves the right to modify the technical specifications or the required quantities at any time. In such a case, the Bidders will be notified.
6. The Director, IISc reserves the right to accept or reject any proposal or cancel the tender, in full or in part, at any stage of tendering process without assigning any reason.
7. Instructions To Bidder for Online Bid Submission may be downloaded from CPPP website (Download section).

Annexure-1 (Drawing for the Lab furniture items)

Figure-1

Schematic drawing of Chemistry/Biology/Physics Lab Tables (All dimensions are in mm)

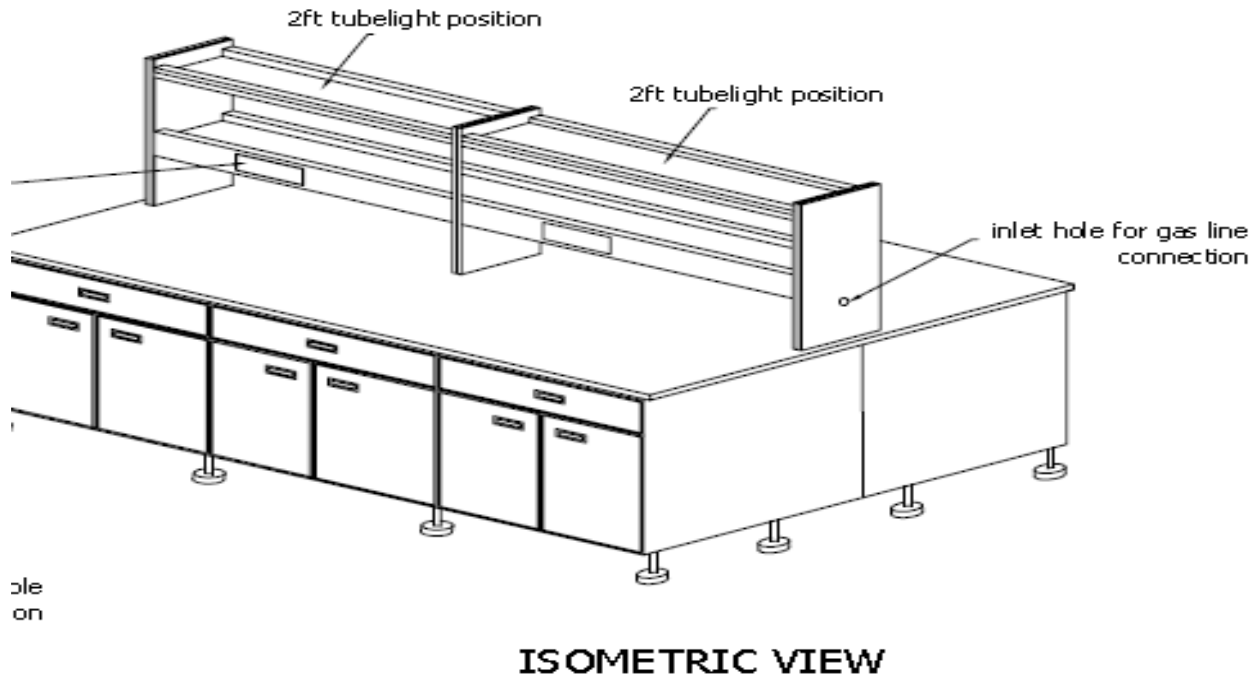
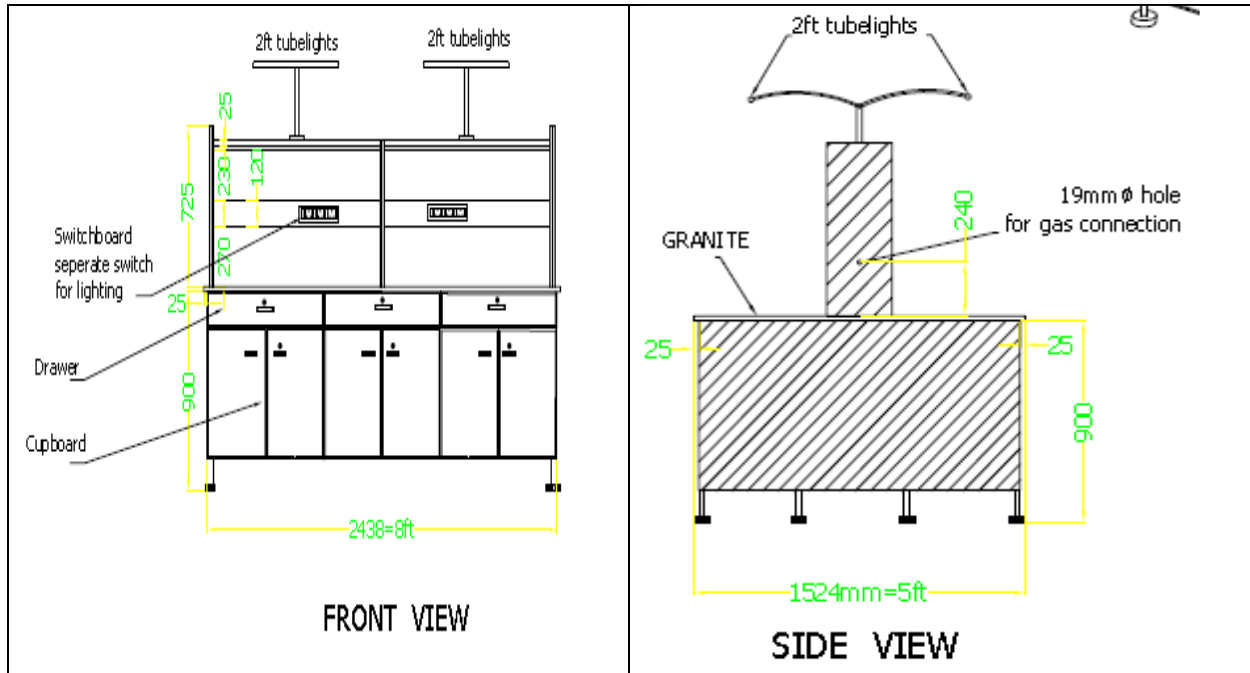


Figure - 2
Schematic drawing of Chemistry/Biology Lab Tables (All dimensions are in mm)

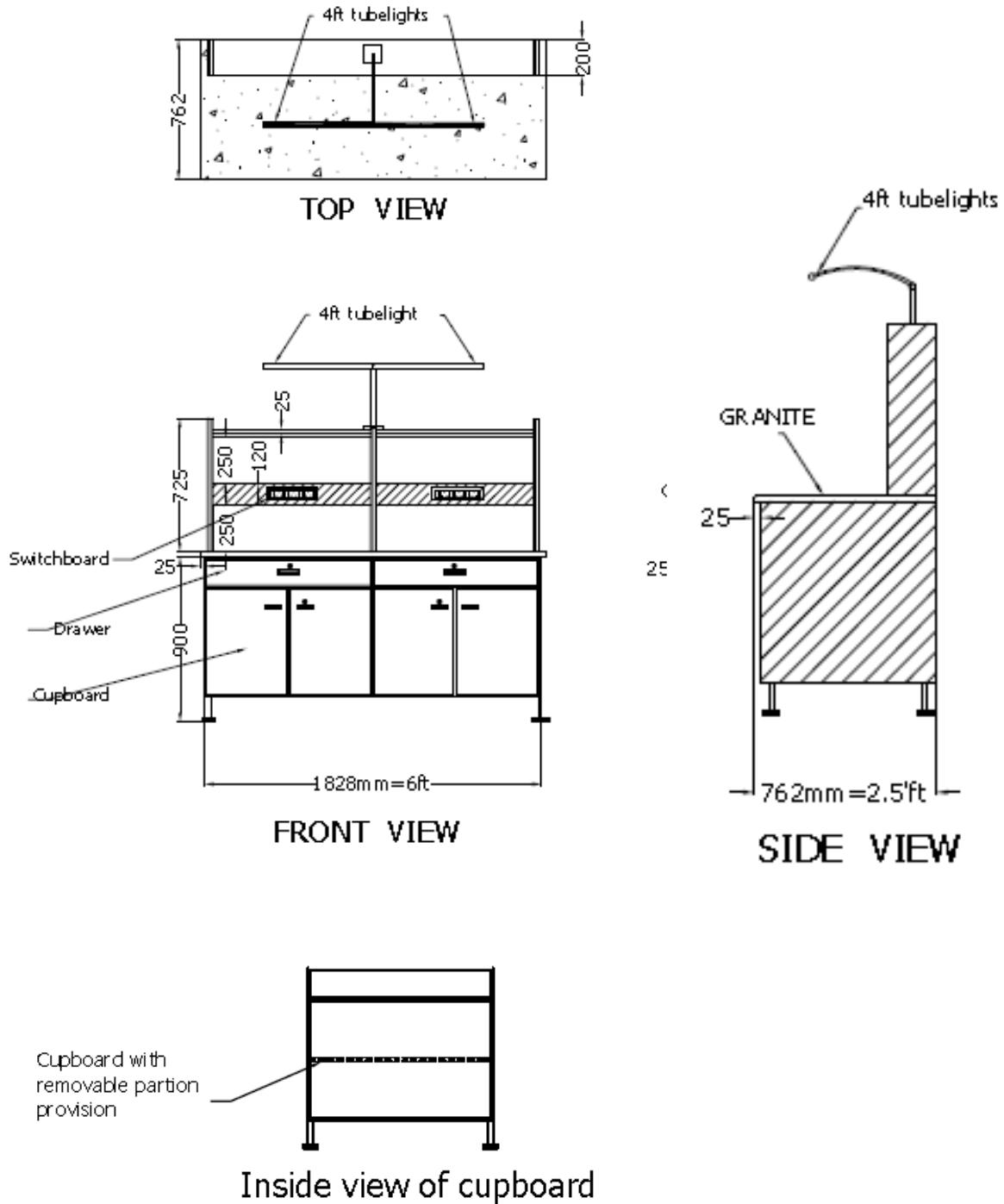
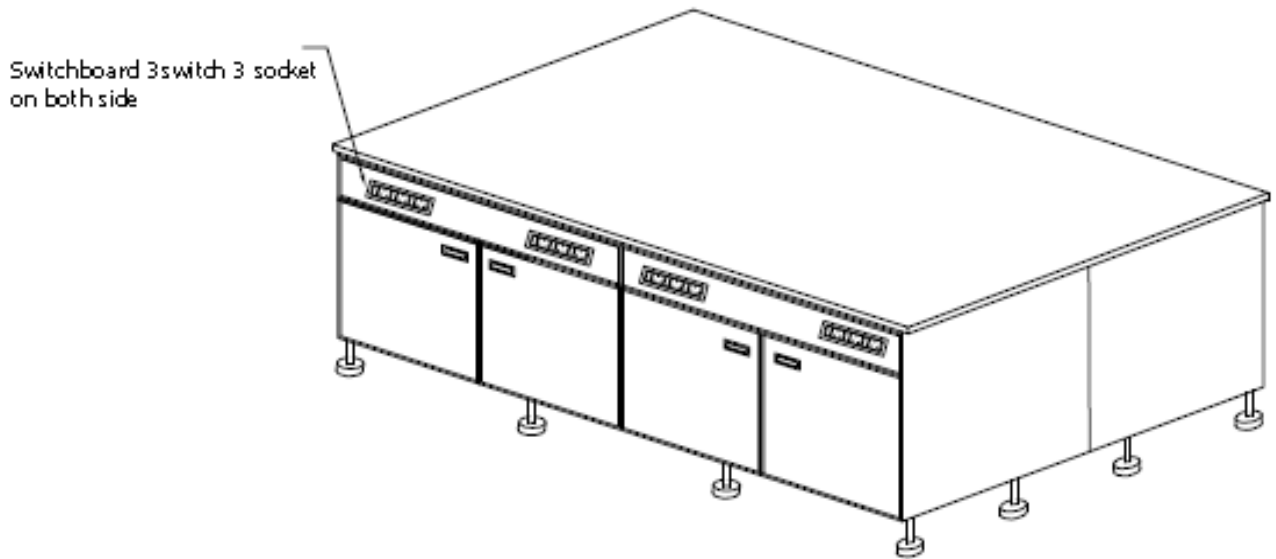
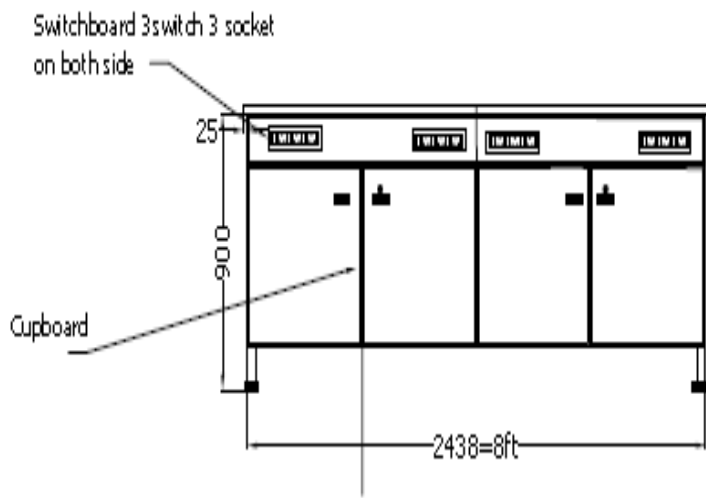


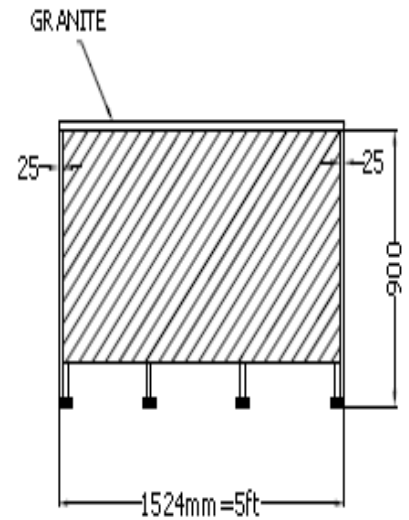
Figure - 3
Schematic drawing of Physics Lab Tables (nonmagnetic SS bottom, all dimensions are in mm)



ISOMETRIC VIEW



FRONT VIEW



SIDE VIEW

Annexure - 2: Details of Bidders (on the letter head of the bidder)

(to be submitted with Technical Bid)

To

The Registrar, IISc, Bangalore - 560012 (India)

Sir,

I hereby submit my bid for your tender no. -.....

Details are as under along with all required documents.

EMD Details (attach e-receipt / MSE certificate)	
Bidder's Name and Address (attach incorporation certificate)	
Registration No. / Trade License (attach certificate copy)	
Complete contact details (address, mobile no. / telephone no. / email ID / website address)	
GSTIN (attach GST Certificate)	
PAN (attach copy of PAN)	
Bank Accounts Details (attach copy of cancelled cheque or letter from bank)	
Category – (a) OEM, (b) OEM authorized distributor (mention clearly), (c) Other Supplier	
Authorization letter by the OEM (Yes / No)	
Details of the contact person, address, mobile no. / E-mail ID etc.	
Experience of the bidder in supply and installation of Furnitures (similar to this tender) (in no. of years and months) (attach purchase orders of the clients and completion certificate from the clients.)	

I have carefully gone through the Terms & Conditions and all the contents as mentioned in the above-referred tender document. I declare that all the provisions and contents of this tender document are acceptable to my company. I further certify that I am an authorized signatory of my company and am, therefore, competent to make this declaration. I copy of this tender document (duly sealed and signed on all pages) are being attached with this bid.

Thanking you.

Seal & Signature with name & date and PAN & Aadhar card no. of the signatory

Annexure - 3: Declaration regarding track record

(on the letter head of the bidder)
(to be submitted with Technical Bid)

To
The Registrar, IISc, Bangalore - 560012 (India)

Sir,
I hereby submit my bid for your tender no. -

I have carefully gone through the Terms & Conditions contained in the above referred tender. I hereby declare that my company/ firm is currently not debarred / not blacklisted by any Government / Semi Government organizations / institutions in India or abroad. I further certify that I am the competent officer in my company / firm to make this declaration.

Or

I declare that my firm is debarred / blacklisted as per following details:

Sl. No.	Country in which the company is Debarred /blacklisted / case is Pending	Black listed / debarred by Government / Semi-Government / Organizations /Institutions	Reason	Since when and for how long

(NOTE: In case the company / firm was blacklisted previously, please provide the details regarding period for which the company / firm was blacklisted and the reason/s for the same.).

Thanking you.

Seal & Signature with name & date and PAN & Aadhar card no. of the signatory

Annexure - 4: Consolidated BoQ compliance Tables
(to be submitted with Technical Bid)

A compliance sheet should be submitted in the format given below along with the Technical Bid. Bidder MUST NOT write any Price here. PRICE must be written in BOQ Price Bid (Excel sheet) only separately.

Table-1

In column-3, please indicate whether you have 'QUOTED' or 'NOT QUOTED' for each item.

Item Description	Quantity	QUOTED / NOT QUOTED (to be filled-in by the bidder)
(a) Experimental Tables Chemistry/Biology/Physics (size - 5'x8')	24	
(b) Experimental Tables (size - 2.5'x6')	14	
(c) Experimental Tables (SS Non Magnetic, size - 5'x8')	6	

Table – 2

In column-3, for each item of furniture please write 'CONFIRM' (if you are able to supply as per our specification) or 'DEVIATION' (if you are deviating from our specification). The specific deviation with complete details should invariably be recorded in column-3 clearly.

Item	Detailed technical specifications	Mention whether CONFIRM or DEVIATION, if any. (If there is deviation, please mention complete details, if required, please use separate sheet) (to be filled-in by the bidder)
(a) Experimental Tables Chemistry /Biology / Physics (size - 5'x8') (Qty. – 24)	Experimental Tables (5'x8') with Granite Top as per the drawing attached Figure – 2 (Annexure-1), 19mm thick Black granite 1524x2438 mm tabletop. Powder coated CRCA sheet storage cupboards below having external locking system and two level storage racks above the table. LPG gas and electrical switches and light fittings as shown in the drawing. Three no's of 5'x8' lab tables are to be arranged to form an island bench of 5'x24' and need a vertical end shaft to bring in LPG and Power connections from the side wall. Ten no's of these shafts are needed.	
(b) Experimental Tables (size - 2.5'x6') (Qty. – 14)	Experimental Tables (2.5'x6') with Granite Top as per the drawing attached Figure- 3 (Annexure-1), 19mm thick Black granite 762x1826 mm tabletop. Powder coated CRCA sheet storage cupboards below having external locking system and two level storage racks with above. LPG gas and electrical switches and light fittings as shown in the drawing.	
(c) Experimental Tables (SS Non Magnetic, size - 5'x8') (Qty. – 6)	Experimental Tables (5'x8') with Granite Top as per the drawing attached Figure- 4 (Annexure-1), 19mm thick Black granite 1524x2438 mm tabletop. Nonmagnetic SS storage cupboards below having external locking system. Electrical switches and light as shown in the drawing	

Annexure - 5
Format for Bank Guarantee for Performance Security
(Performance Bank Guarantee)

(to be submitted by the successful bidder after placement of the purchase order)

To
 The Registrar
 Indian Institute of Science (I.I.Sc.)
 Bangalore – 560 012
 Karnataka
 India

Subject: Performance Bank Guarantee (PBG)

Reference: I.I.Sc. Purchase Order No. _____, dated _____

Dear Sir,

1. We hereby issue a Bank Guarantee as follows: -

Bank Guarantee No. _____ Date: _____

Amount of Guarantee Rs. _____,

Guarantee covers From _____ To _____

Last Date for Lodgement of Claim: _____

2. This deed of Guarantee executed by the (Name of the Bank: _____) constituted under _____ Act, _____ having its Central Office at _____ and amongst other places a branch at _____ (hereinafter referred to as "The Bank") in favour of The Registrar, Indian Institute of Science, Bangalore – 560 012 (hereinafter referred to as I.I.Sc.) for an amount of not exceeding Rs. _____ (in words: Rupees _____ only) at the request of M/s _____ (hereinafter referred to as the "Contractor" / "Supplier").
3. In consideration of The Registrar, Indian Institute of Science, Bangalore – 560 012 (hereinafter called I.I.Sc.) having entered into an agreement vide IISc's Purchase Order No. _____ dated _____ with M/s _____ (hereinafter called the Supplier) to carry out the supply and installation of the _____ <Name of the equipments /work/job> at Indian Institute of Science, Bangalore as per their above order, the Supplier agreed to execute a Bank Guarantee for 10% of the total order value viz. Rs. _____ (Rupees _____) towards

Performance Security / Performance Guarantee obligation for a period of ____ year(s) / month(s) from _____ to _____.

4. We, the _____ Bank, _____ Branch (hereinafter referred to as a Guarantor) at the request of the supplier, irrevocably undertake to indemnify and to keep indemnify I.I.Sc. without any demur to the extent of Rs. _____ (Rupees _____) in the event of the aforesaid Supplier failing to comply the Warranty / contractual Obligations as per the agreed terms to the full satisfaction of the Company as mentioned in the I.I.Sc.'s purchase order.
5. NOW THIS BANK HEREBY GUARANTEES that in the event of the said Supplier failing to abide by any of the conditions referred in tender document / purchase order / performance of the equipment / Machinery / service, etc. this Bank shall pay to Indian Institute of Science, Bangalore on demand and without protest or demur Rs _____ (Rupees _____).
6. We _____ Bank, further agree that the Guarantee herein contained shall remain in full force and affect during the period that would be taken for the performance of the equipment and / or services as stated in the Purchase Order issued by I.I.Sc. and that it shall continue to be enforceable till the completion of the period and certified that warranty and contractual obligations have been fully carried out by the supplier and accordingly discharges the Guarantee subject. However, I.I.Sc. shall have no right under after the expiry of the Guarantee, i.e. _____ (date).
7. We, _____ Bank undertake not to revoke this Guarantee, during its currency except with the previous consent of I.I.Sc. in writing.
8. Notwithstanding anything contained herein,
 - (a) Our liability under the Bank Guarantee shall not exceed Rs. _____ (Rupees _____).
 - (b) This Bank Guarantee shall be valid up to _____.
 - (c) We are liable to pay the guaranteed amount or any part thereof under this Bank Guarantee only and only if I.I.Sc. serve upon us a written claim or demand on or before expiry of date (i.e. _____).
9. NOTWITHSTANDING anything contained herein above, our liability under this Guarantee is restricted to Rs. _____ (Rupees _____ only). Our guarantee shall remain in force until, unless a Demand or claim under the guarantee is made on our Bank in writing on or before _____, all your rights under the said guarantee be forfeited and we shall be relieved and discharged from all liabilities thereunder.

10. This Bank further agrees that the decision of Indian Institute of Science, Bangalore as to whether the said Supplier has committed a breach of any of the conditions referred in tender document / purchase order shall be final and binding.
11. This Bank further agrees that the claims if any, against this Bank Guarantee shall be enforceable at our branch office at _____ situated at _____ (Address of local branch) as following details:

Name of the Bank	
Branch Name	
Branch Code	
IFSC Code	
E-mail Id	
Phone / Mobile No.	

Seal & Signature of the Bank